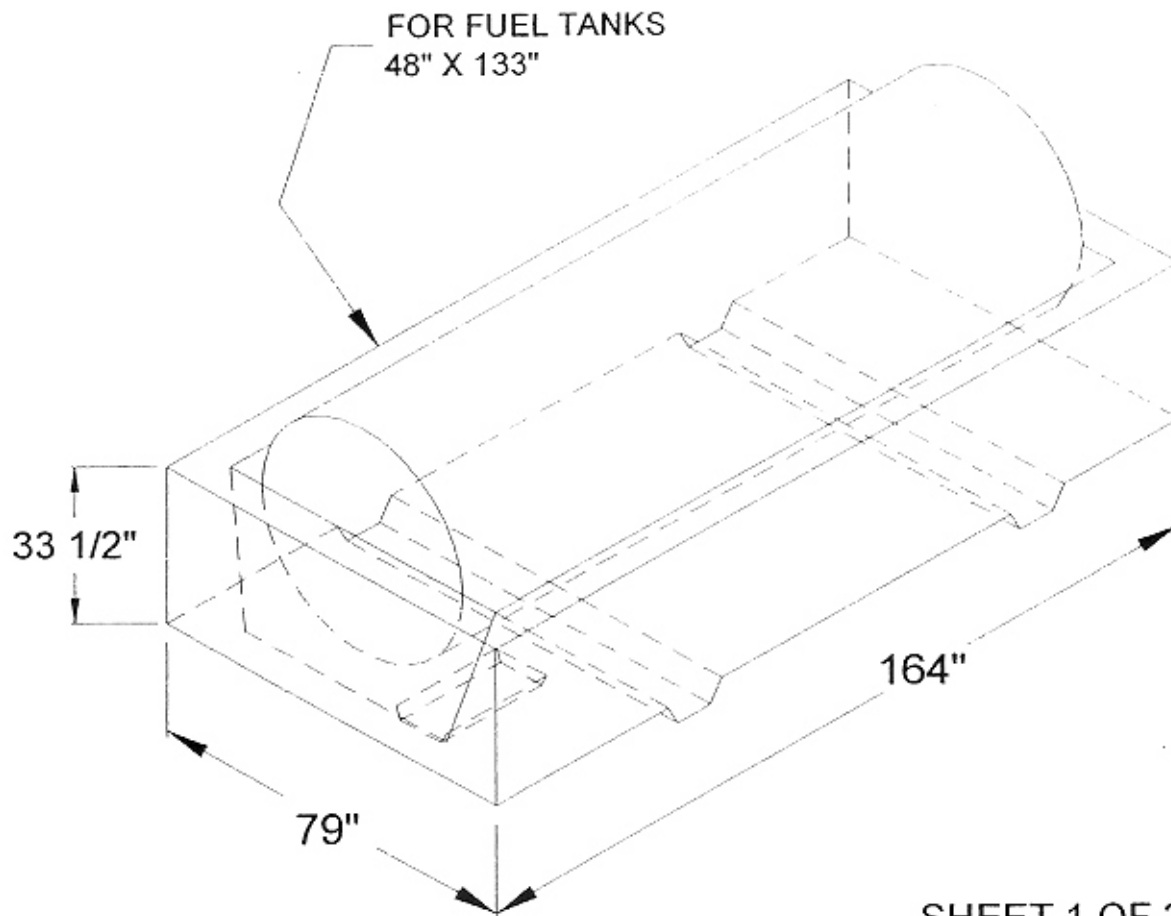


1000 GALLON HAZARDOUS CHEMICAL AND FUEL CONTAINMENT VESSEL



SHEET 1 OF 2

GROVE CONCRETE & SUPPLY, INC.
18426 DURAND AVENUE P.O. BOX 363
UNION GROVE, WISCONSIN 53182
(262) 878-2030

1000 GALLON TANK
CONTAINMENT VESSEL

DRAWN: Dx DATE: 01/04/02
SCALE: NTS
DWG. NUMBER:

CON-1000

THIS DRAWING AND THE INFORMATION CONTAINED HEREON
IS THE EXCLUSIVE PROPERTY OF GROVE CONCRETE & SUPPLY, INC.,
AND SHALL NOT BE REPRODUCED, USED, OR DISCLOSED TO OTHERS
EXCEPT AS AUTHORIZED THROUGH WRITTEN CONCENT FROM
GROVE CONCRETE & SUPPLY, INC.