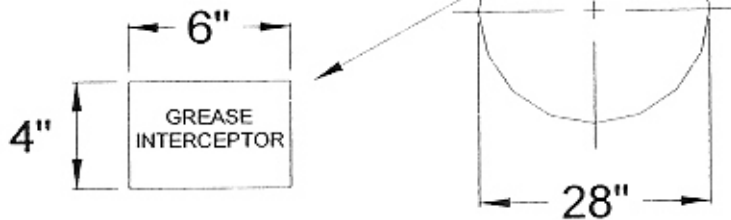
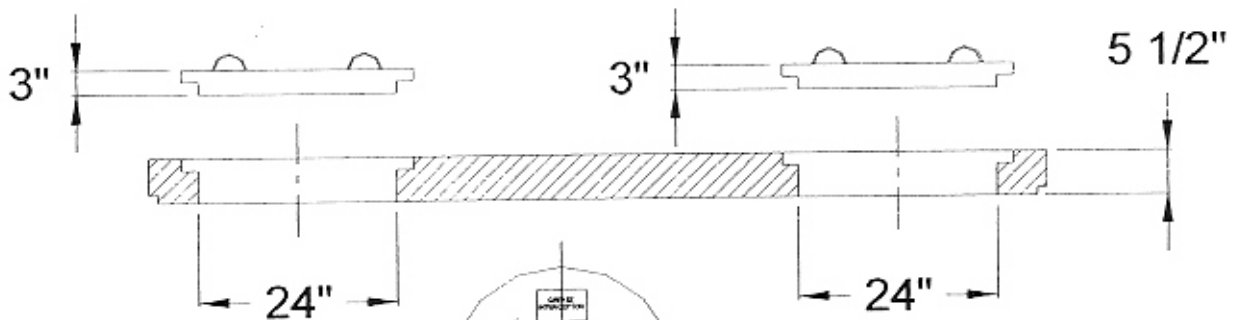
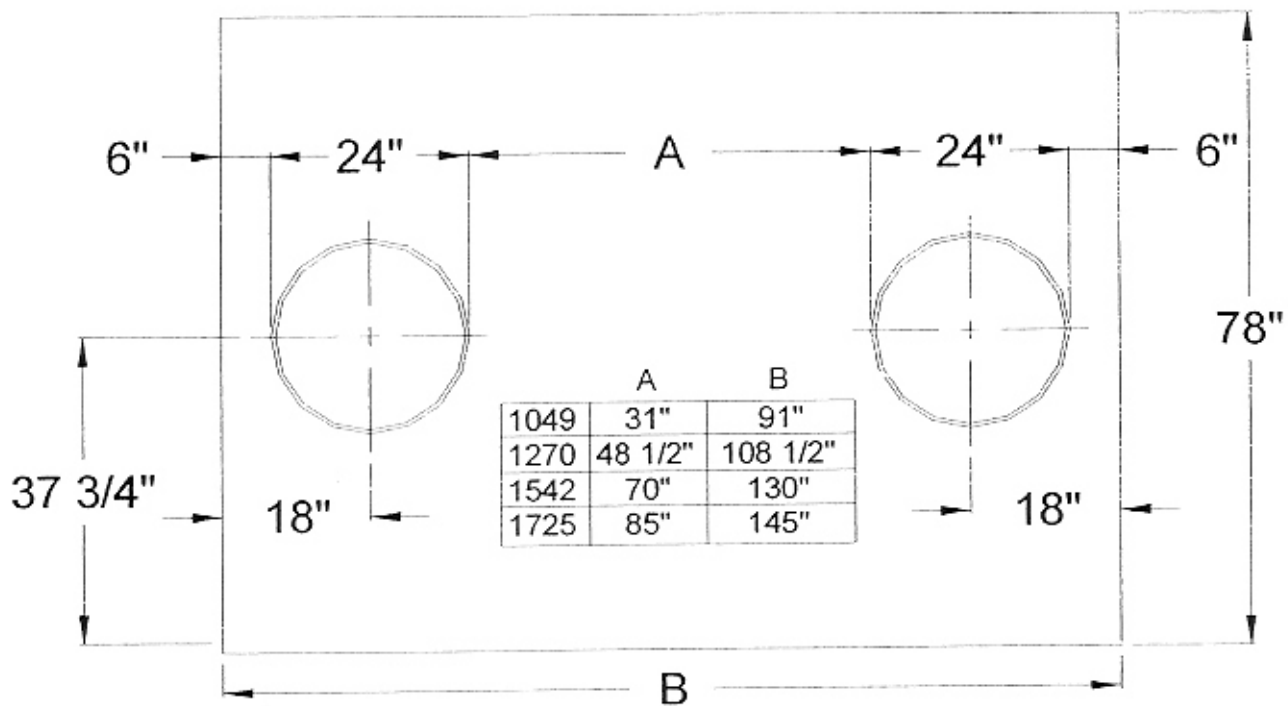
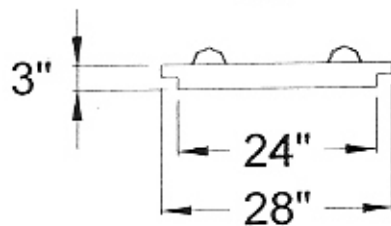


GREASE INTERCEPTOR COVER



LABEL



GROVE CONCRETE & SUPPLY, INC.
 18426 DURAND AVENUE P.O. BOX 363
 UNION GROVE, WISCONSIN 53182
 (262) 878-2030

1049, 1270, 1542, 1725
 GREASE INTERCEPTOR COVER

DRAWN: Dx DATE: 01/04/02

SCALE: NTS

DWG. NUMBER: COV-XXXX

THIS DRAWING AND THE INFORMATION CONTAINED HEREON IS THE EXCLUSIVE PROPERTY OF GROVE CONCRETE & SUPPLY, INC., AND SHALL NOT BE REPRODUCED, USED, OR DISCLOSED TO OTHERS EXCEPT AS AUTHORIZED THROUGH WRITTEN CONCENT FROM GROVE CONCRETE & SUPPLY, INC.