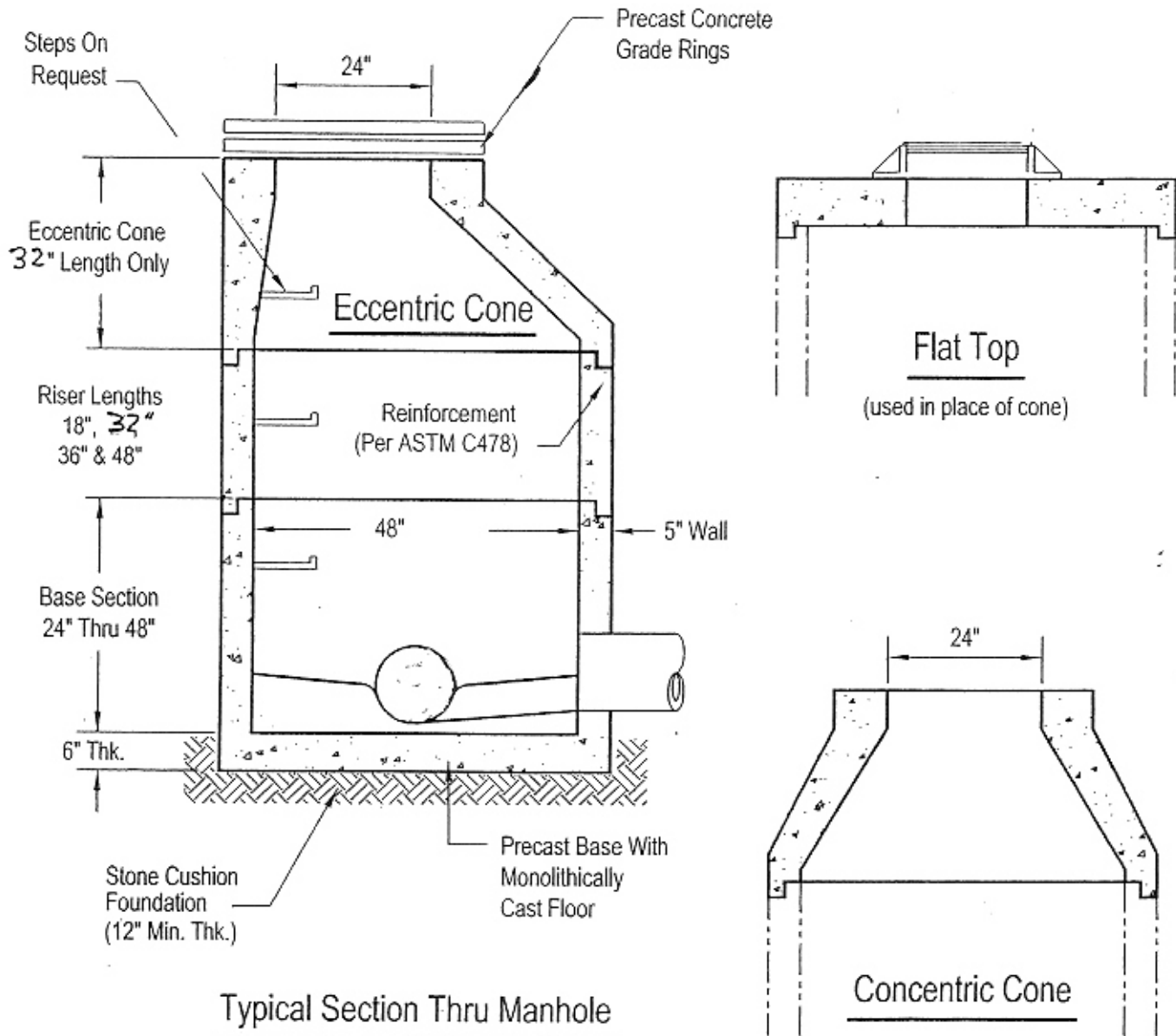


# Grove Concrete & Supply Inc.

18426 Durand Ave. • P.O. Box 363 • Union Grove, WI. 53182 • 262-878-2030  
1-800-438-TANK (8265) • FAX 262-878-4222

## 48" Diameter Manhole



### Notes:

1. Produced to meet ASTM specifications.
2. Cones available eccentric or concentric.
3. Additional manhole sizes are available.

THIS DRAWING AND THE INFORMATION CONTAINED HEREON IS THE EXCLUSIVE PROPERTY OF GROVE CONCRETE & SUPPLY, INC., AND SHALL NOT BE REPRODUCED, USED, OR DISCLOSED TO OTHERS EXCEPT AS AUTHORIZED THROUGH WRITTEN CONCENT FROM GROVE CONCRETE & SUPPLY, INC.