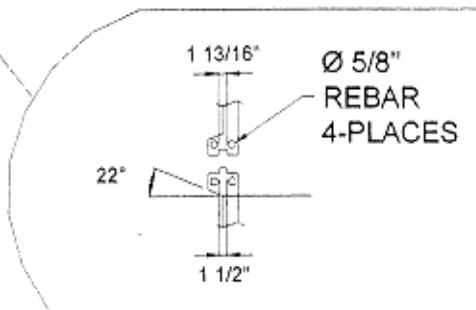


NOTE:  
GALLONS PER INCH TO BE 65.45.

THIS DRAWING AND THE INFORMATION CONTAINED HEREON IS THE EXCLUSIVE PROPERTY OF GROVE CONCRETE & SUPPLY, INC., AND SHALL NOT BE REPRODUCED, USED, OR DISCLOSED TO OTHERS EXCEPT AS AUTHORIZED THROUGH WRITTEN CONSENT FROM GROVE CONCRETE & SUPPLY, INC.



GROVE CONCRETE & SUPPLY, INC.  
18428 DURAND AVENUE P.O. BOX 363  
UNION GROVE, WISCONSIN 53182  
(262) 878-2030

7724 GALLON SEPTIC TANK  
8379 GALLON HOLDING TANK

DRAWN: Dx DATE: 01/07/02

SCALE: NTS

DWG. NUMBER: TNK-7724-8379