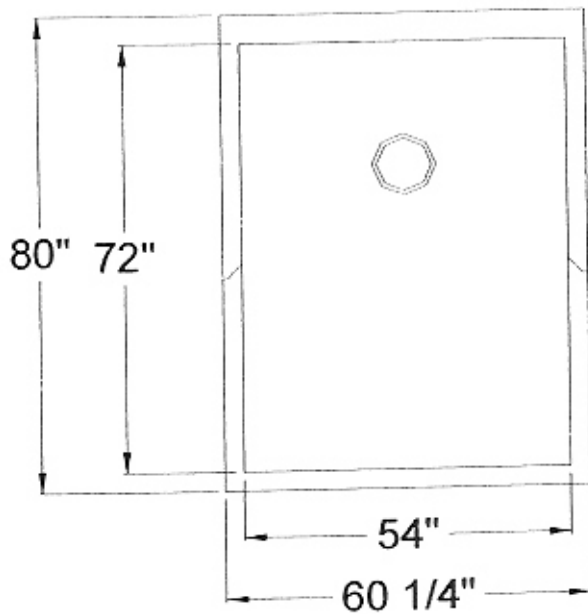
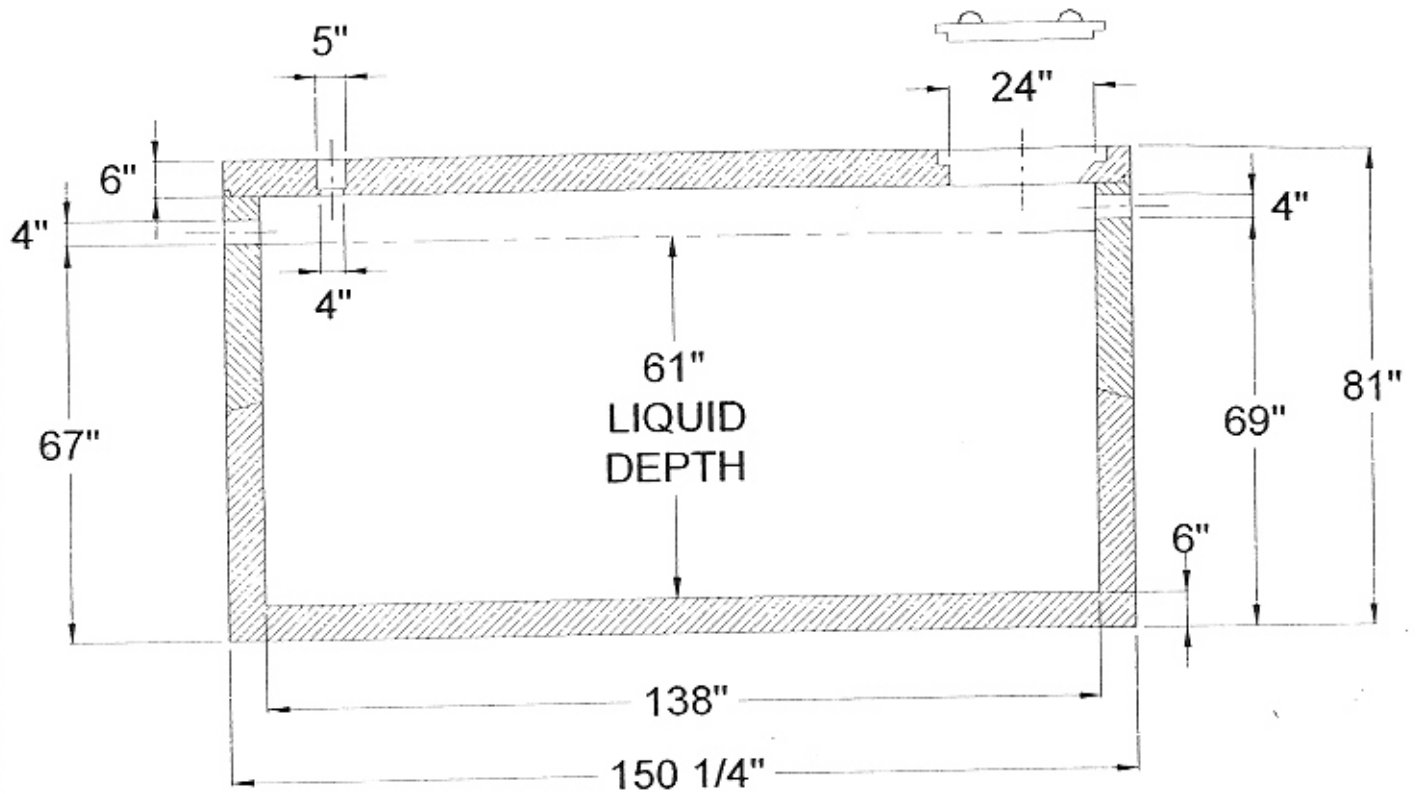


# 2100 GALLON, 2 PIECE SEPTIC TANK, 1 MANHOLE



## 2200 GALLON-2PC-HOLDING OUTLET PLUGGED

### NOTES:

1. GALLONS PER INCH=33.66.
2. CONCRETE TO BE 4000 PSI MIN.

THIS DRAWING AND THE INFORMATION CONTAINED HEREON IS THE EXCLUSIVE PROPERTY OF GROVE CONCRETE & SUPPLY, INC., AND SHALL NOT BE REPRODUCED, USED, OR DISCLOSED TO OTHERS EXCEPT AS AUTHORIZED THROUGH WRITTEN CONCENT FROM GROVE CONCRETE & SUPPLY, INC.

GROVE CONCRETE & SUPPLY, INC.  
18426 DURAND AVENUE P.O. BOX 363  
UNION GROVE, WISCONSIN 53182  
(262) 878-2030

## 2100 GALLON, 2 PIECE SEPTIC TANK

DRAWN: Dx DATE: 01/04/02

SCALE: NTS

DWG. NUMBER: TNK-2100-2PC-1MH