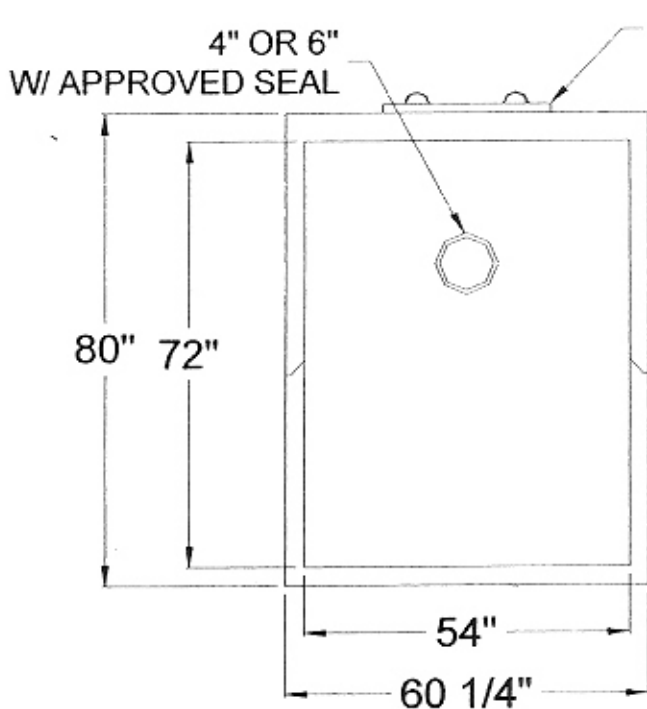
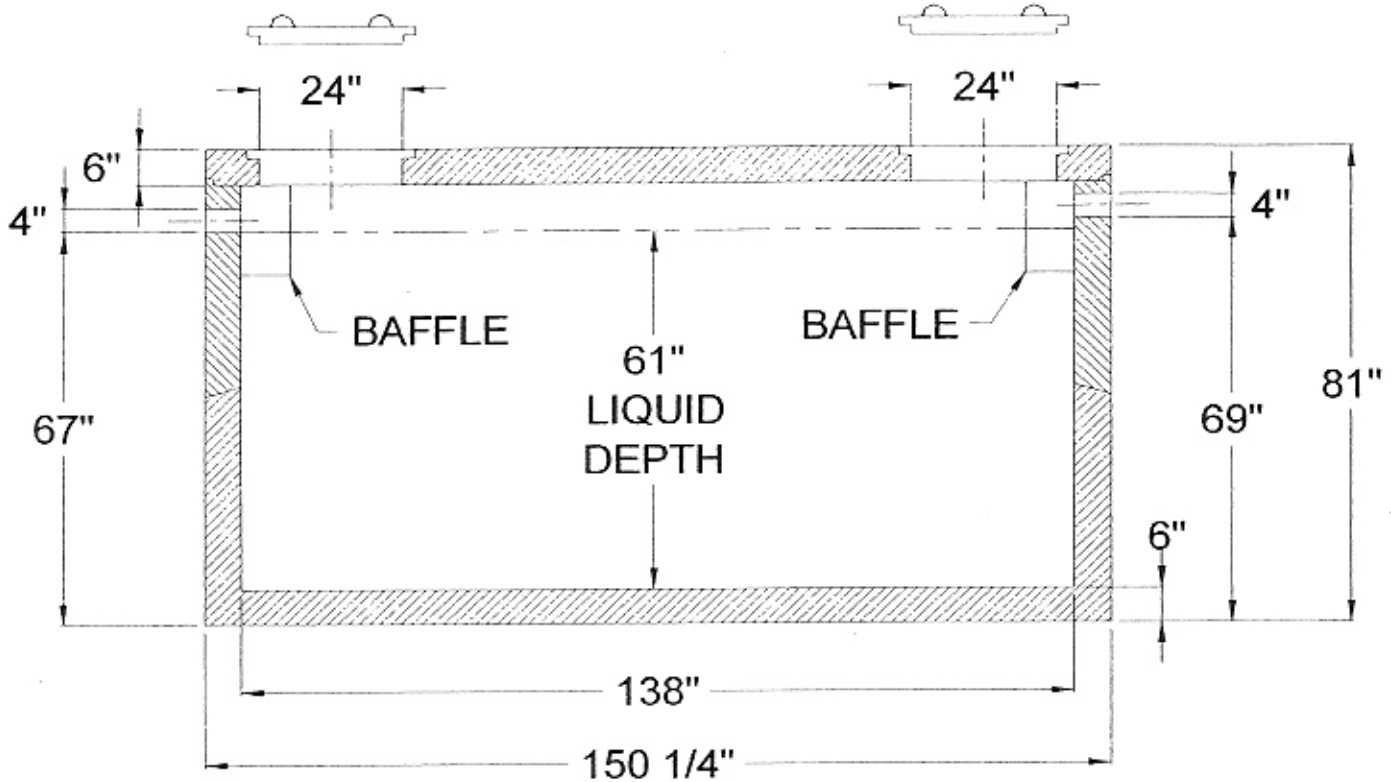


2100 GALLON, 2 PIECE SEPTIC TANK, 2 MANHOLES



MANWAY TYP. OF 2
GREASE INTERCEPTOR
2 MANWAYS
2200 GALLON-2PC-HOLDING
OUTLET PLUGGED

NOTES:

1. GALLONS PER INCH=33.66.
2. CONCRETE TO BE 4000 PSI MIN.

GROVE CONCRETE & SUPPLY, INC.

18426 DURAND AVENUE P.O. BOX 363
UNION GROVE, WISCONSIN 53182
(262) 878-2030

2100 GALLON, 2 PIECE
SEPTIC TANK

DRAWN:

Dx

DATE:

01/07/02

SCALE:

NTS

DWG. NUMBER:

TNK-2100-2PC-2MH

THIS DRAWING AND THE INFORMATION CONTAINED HEREON IS THE EXCLUSIVE PROPERTY OF GROVE CONCRETE & SUPPLY, INC., AND SHALL NOT BE REPRODUCED, USED, OR DISCLOSED TO OTHERS EXCEPT AS AUTHORIZED THROUGH WRITTEN CONCENT FROM GROVE CONCRETE & SUPPLY, INC.