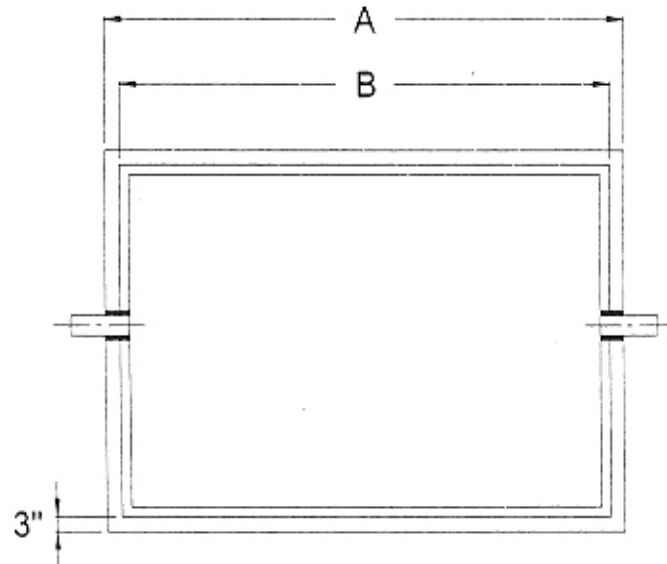
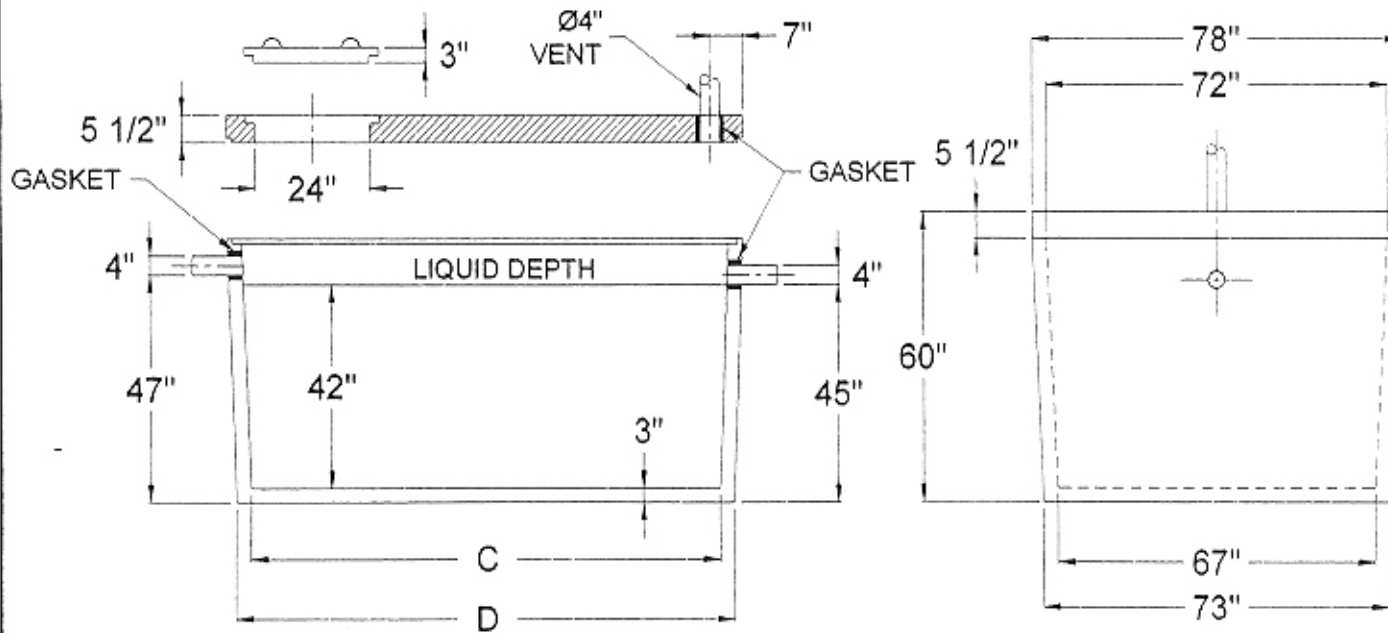


THIS DRAWING AND THE INFORMATION CONTAINED HEREON IS THE EXCLUSIVE PROPERTY OF GROVE CONCRETE & SUPPLY, INC., AND SHALL NOT BE REPRODUCED, USED, OR DISCLOSED TO OTHERS EXCEPT AS AUTHORIZED THROUGH WRITTEN CONSENT FROM GROVE CONCRETE & SUPPLY, INC.



	A	B	C	D	GALLONS PER INCH	ACTUAL GALLONS
771	69"	63"	59"	65"	18.37	771.73
1049	91"	85"	81"	87"	24.98	1049.73
1270	108 1/2"	102 1/2"	98 1/2"	104 1/2"	30.26	1270.86
1542	130"	124"	120"	126"	36.72	1542.54

**DIMENSION TABLE**



**NOTE:**  
1. CONCRETE TO BE 4000 PSI MIN.

GROVE CONCRETE & SUPPLY, INC.  
18426 DURAND AVENUE P.O. BOX 383  
UNION GROVE, WISCONSIN 53182  
(262) 878-2030

771, 1049, 1270, 1542  
VENTED TANKS

DRAWN: Dx DATE: 01/04/02

SCALE: NTS

DWG. NUMBER: TNK-XXXX-VEN